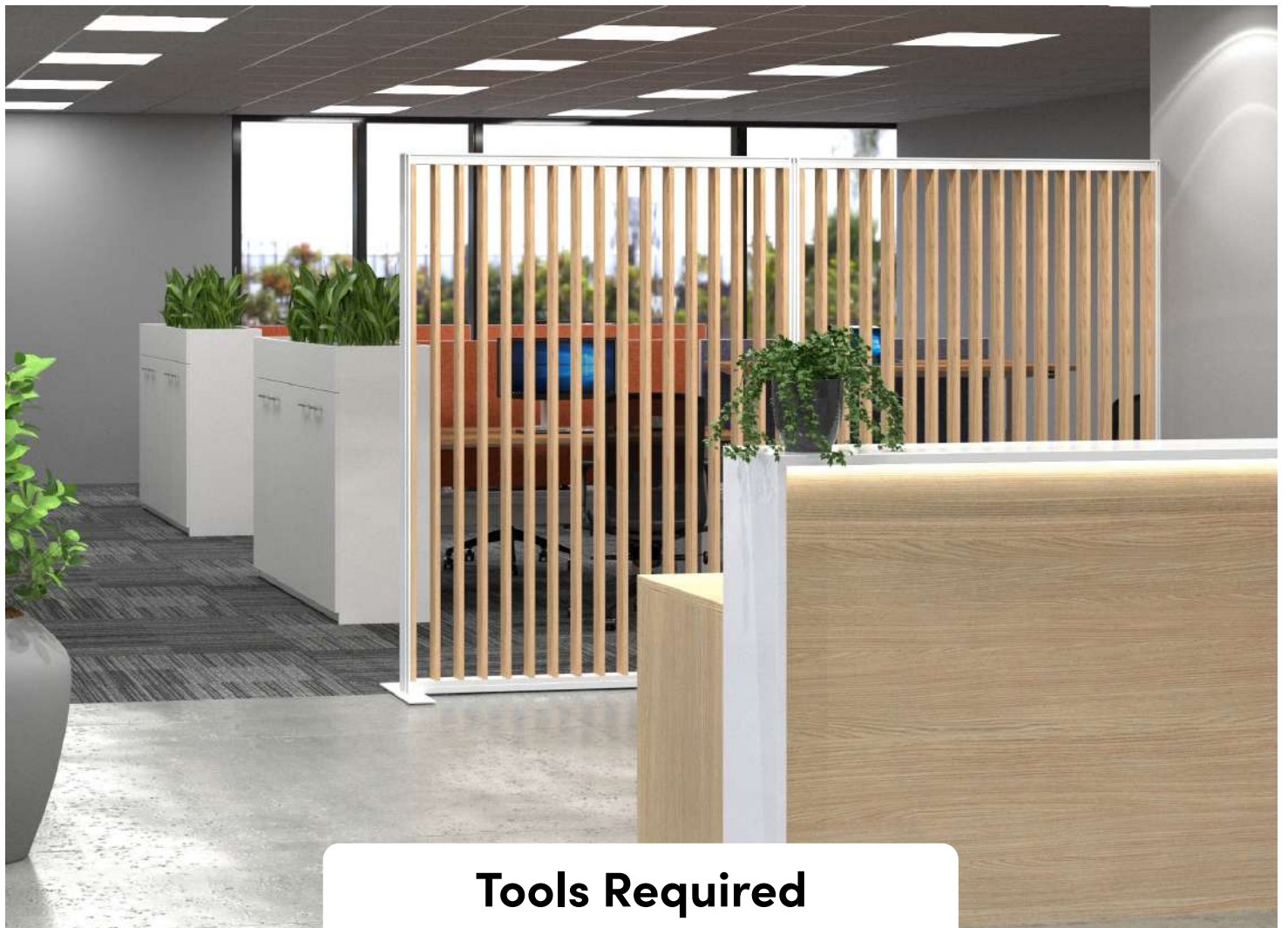




# CONNECT ASSEMBLY GUIDE





## Tools Required



Battery Drill



Pozi #2 Driver Bit



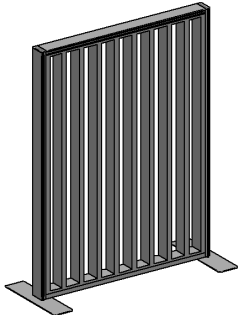
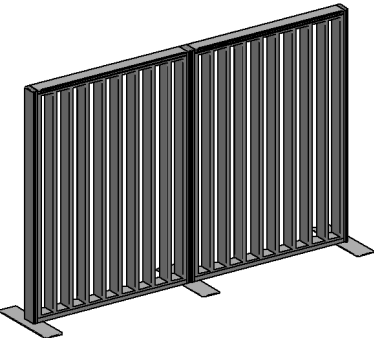
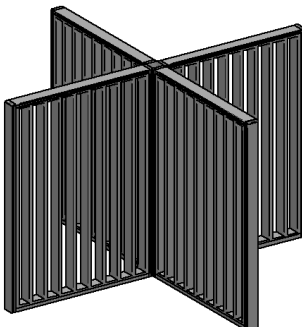
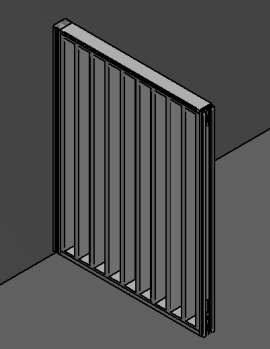
2.5mm Hex Key



18mm Wrench

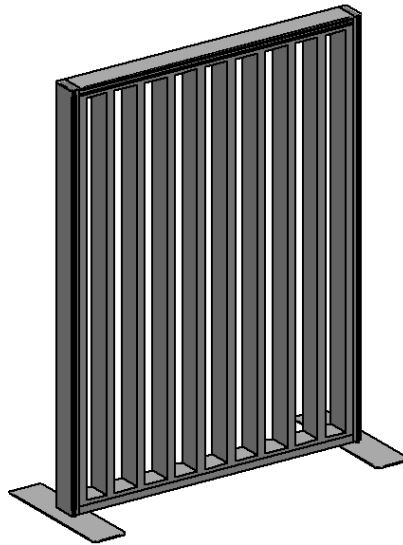
**Accent**  
workspace furniture solutions

# TABLE OF CONTENTS

CONFIGURATION	PAGE NUMBER	IMAGE
Freestanding Single Screen	4-5	
Inline Screen Connection	6-8	
Corner Post Connection	9-10	
Wall Fixing	11-13	

# FREESTANDING SINGLE SCREEN

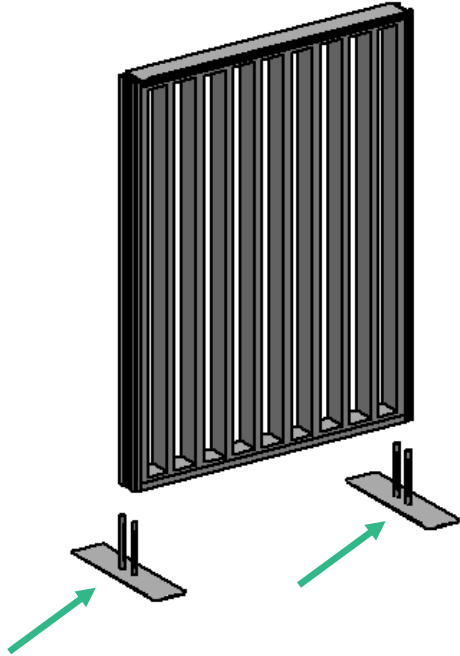
## PARTS LIST



NO.	NAME	QUANTITY	IMAGE
1	Connect Fin Screen	1pcs	
2	Connect End Cap	2pcs	
3	Connect Freestanding Feet	2pcs	
4	Connect Large Plastic Cap	2pcs	

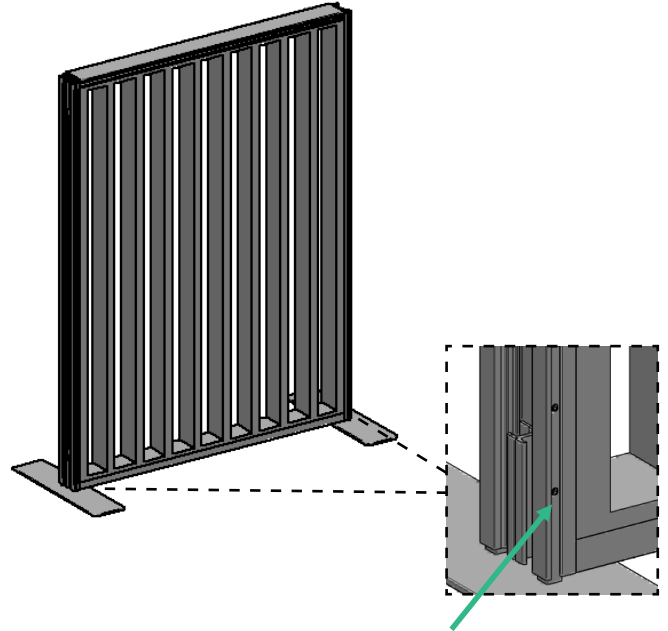
# FREESTANDING SINGLE SCREEN ASSEMBLY INSTRUCTION

## STEP 1



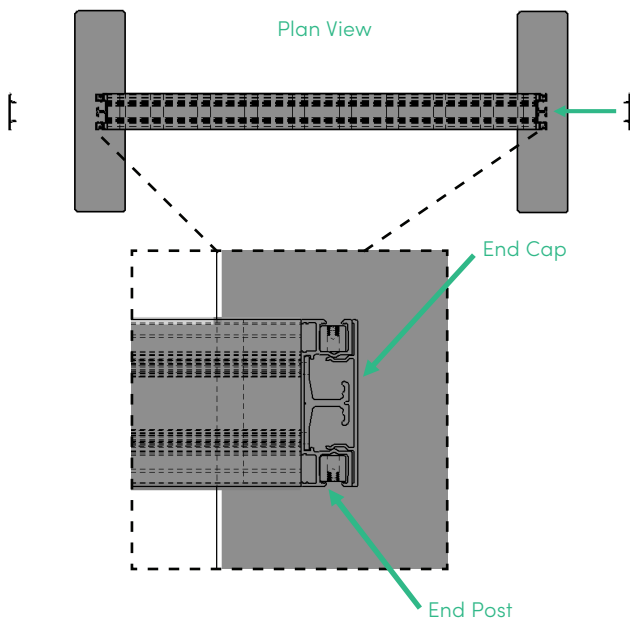
Slide the foot up in to the post.

## STEP 2



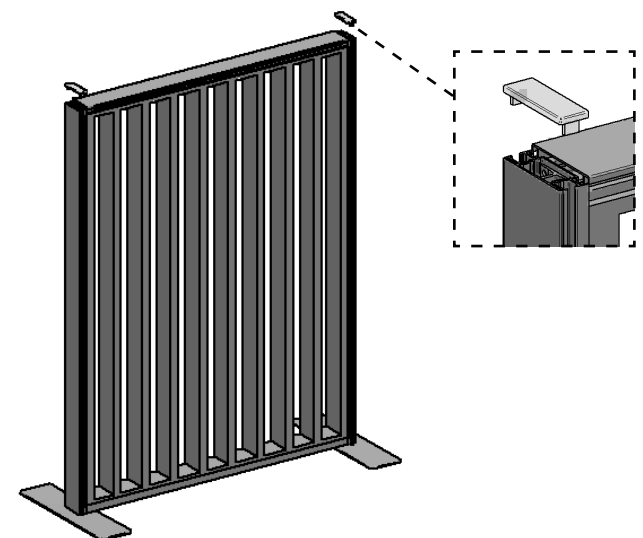
Tighten the grub screws on the side of the foot using the 2.5mm hex key.

## STEP 3



Install the Connect Fin end cap, by clipping it on to the end post.

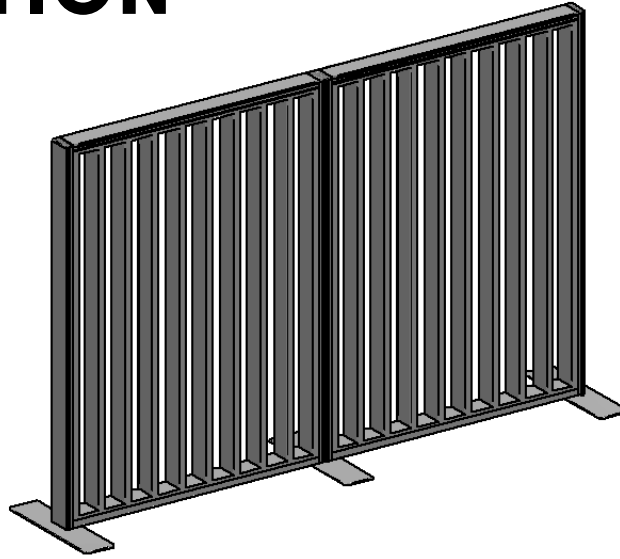
## STEP 4

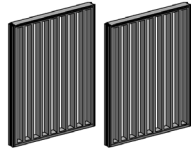

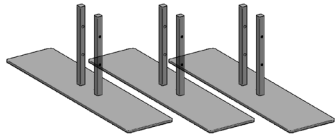
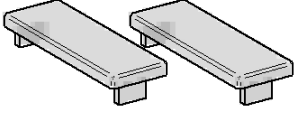
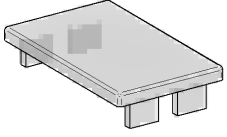

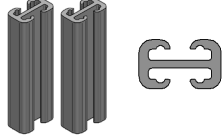


Install large plastic caps.

# INLINE SCREEN CONNECTION

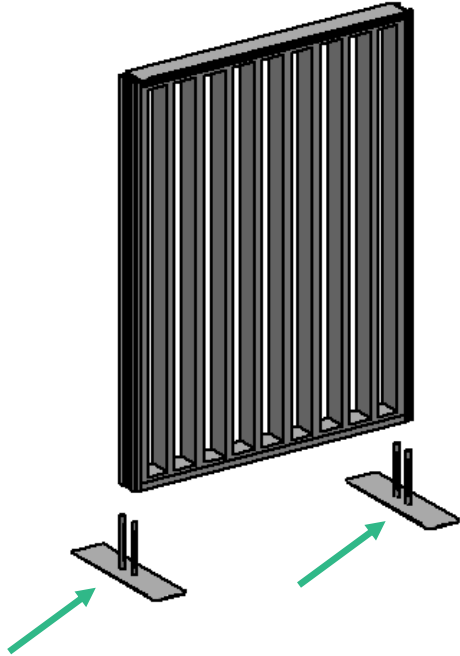
## PARTS LIST



NO.	NAME	QUANTITY	IMAGE
1	Connect Fin Screen	2pcs	
2	Connect End Cap	2pcs	
3	Connect Freestanding Feet	3pcs	
4	Connect Large Plastic Cap	2pcs	
5	Connect Inline Plastic Cap	1pc	
6	5g x 16mm Pozi CSK Screw	6pcs	
7	Ascon Joiner	2pcs	

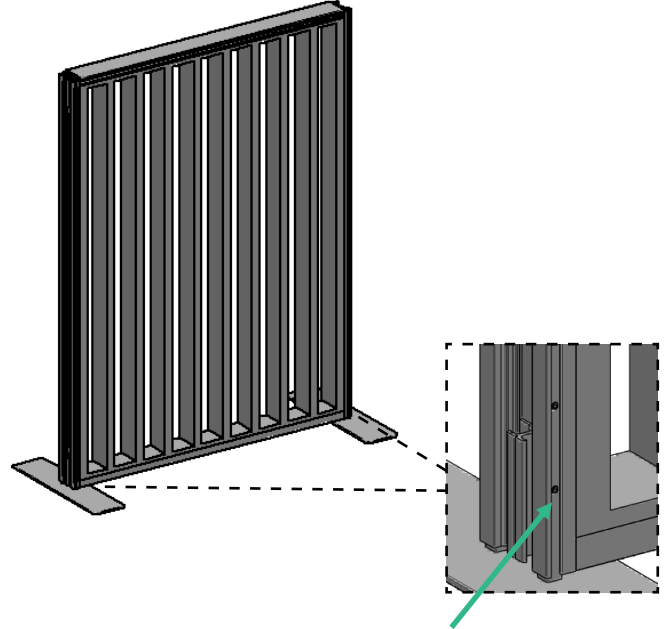
# INLINE SCREEN CONNECTION ASSEMBLY INSTRUCTION

## STEP 1



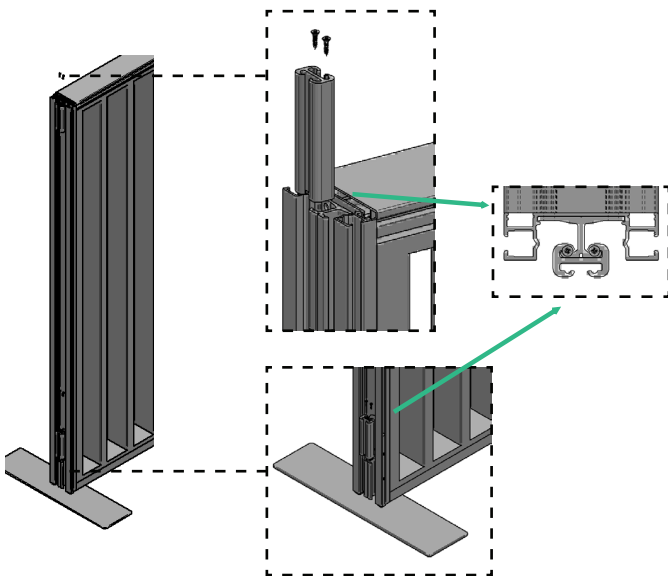
Slide the foot up in to the post.

## STEP 2



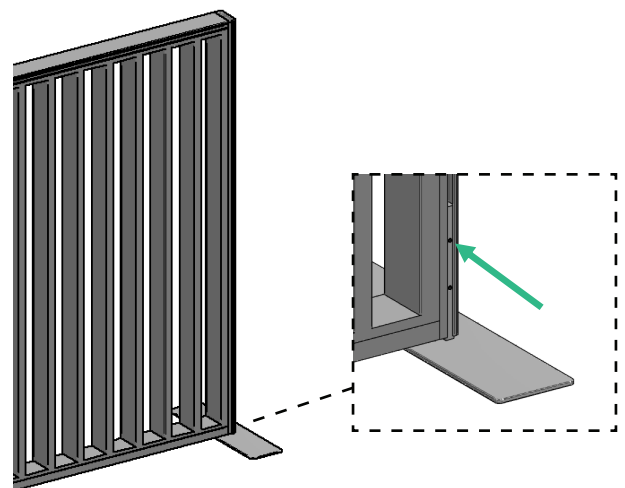
Tighten the grub screws on the side of the foot using the 2.5mm hex key.

## STEP 3



Attached the Ascon joiner to the screen joiner on the top and bottom of the end of the screen. Using the 5g x 16mm CSK screws.

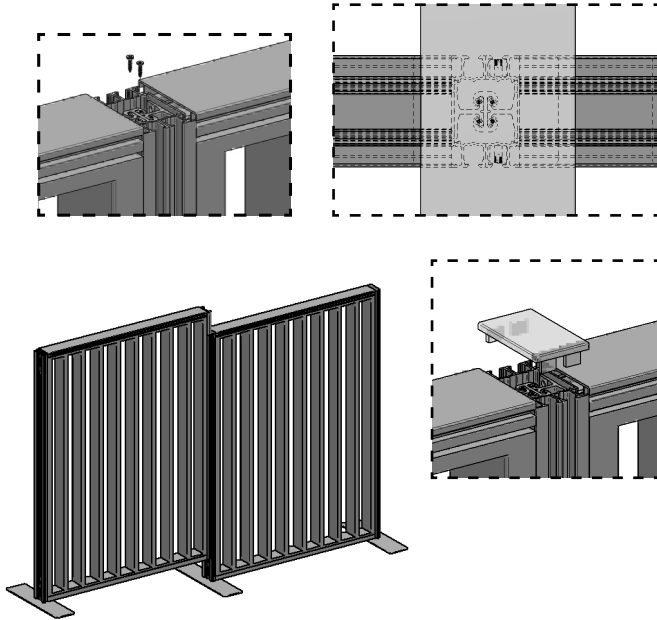
## STEP 4



Tighten the grub screws on the side of the foot, using the 2.5mm hex key.

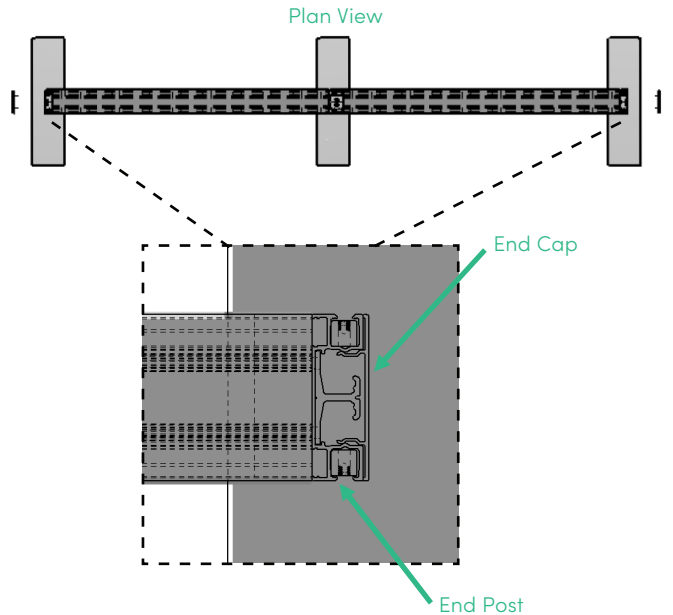
# INLINE SCREEN CONNECTION ASSEMBLY INSTRUCTION

## STEP 5



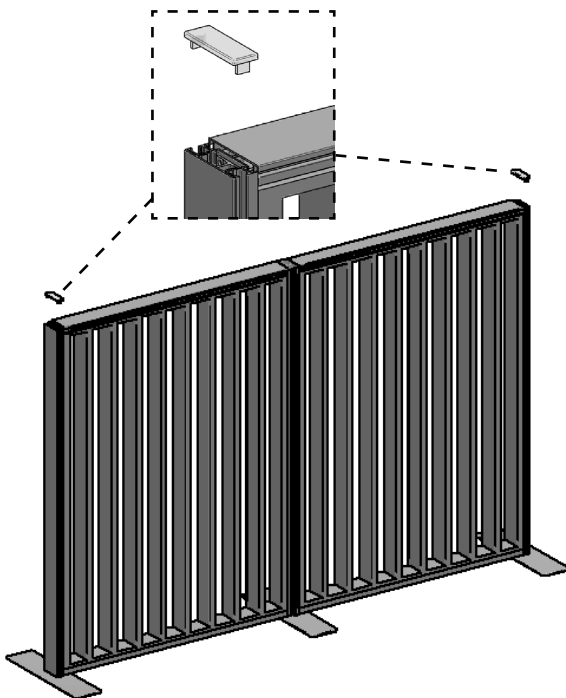
Connect the screen together by sliding the screen down over the ascon joiner. Install screws to fix in place. Place inline plastic cap over the join.

## STEP 6



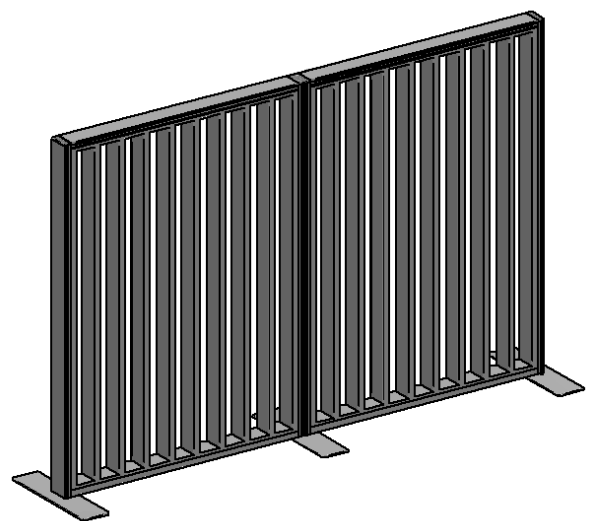
Install the Connect Fin end cap, by clipping it on to the end post. *NOTE: Make sure the top of the end cap is flush with the top of the end post.*

## STEP 7



Install large plastic caps.

## STEP 8

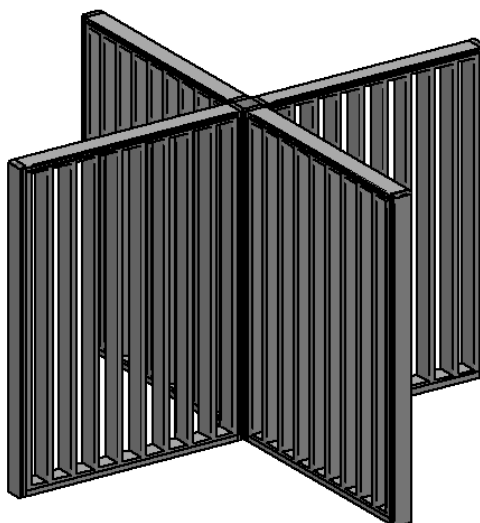


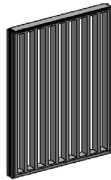

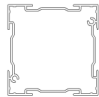
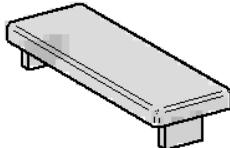
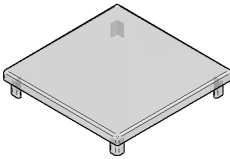
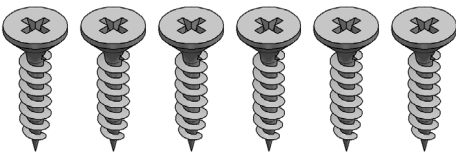
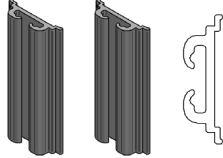
Freestanding Single Screen



# CORNER POST CONNECTION

## PARTS LIST

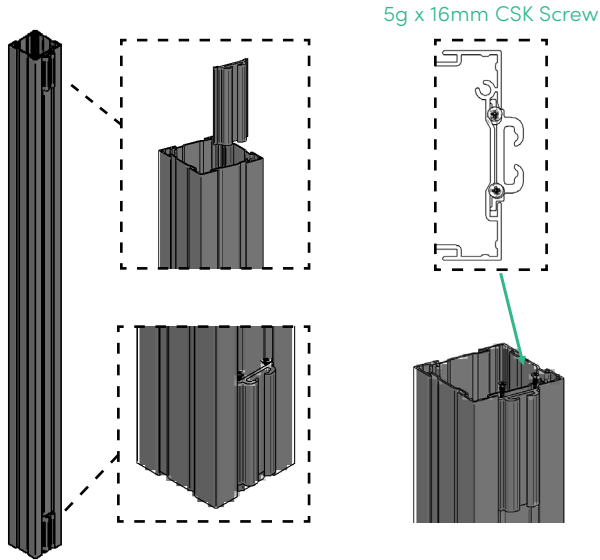


NO.	NAME	QUANTITY	IMAGE
1	Connect Fin Screen	1pc	
2	Connect Corner Post	1pc	 
3	Connect Small Plastic Cap	1pc	
4	Connect Corner Post Top Cap	1pc	
5	5g x 16mm Pozi CSK Screw	6pcs	
6	Power Inline Joiner	2pcs	

# CORNER POST CONNECTION

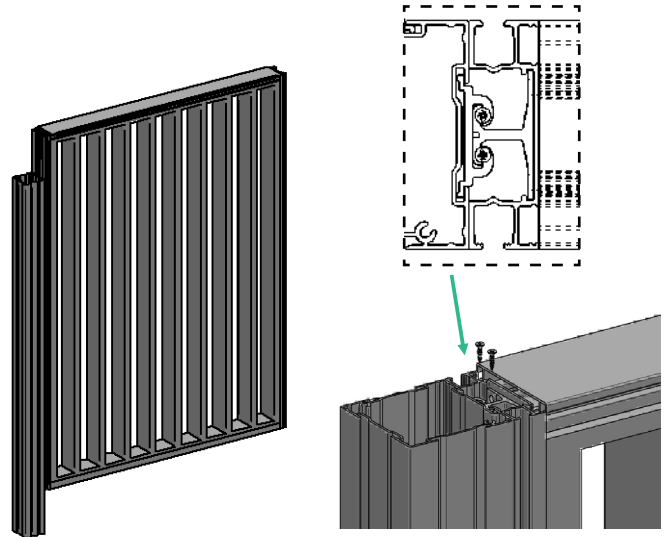
## ASSEMBLY INSTRUCTION

### STEP 1



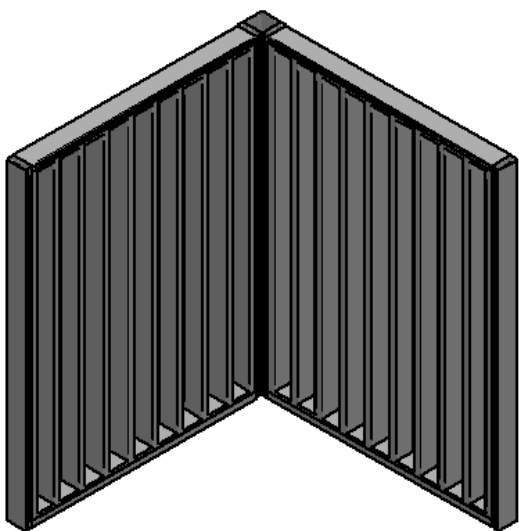
Slide the corner post jointer onto the corner post. Slide it about 5mm below the top of the corner post and lock it in place by installing the screws. Do the same at the bottom of the screen and the other sides of the corner post where the screens coming off.

### STEP 2



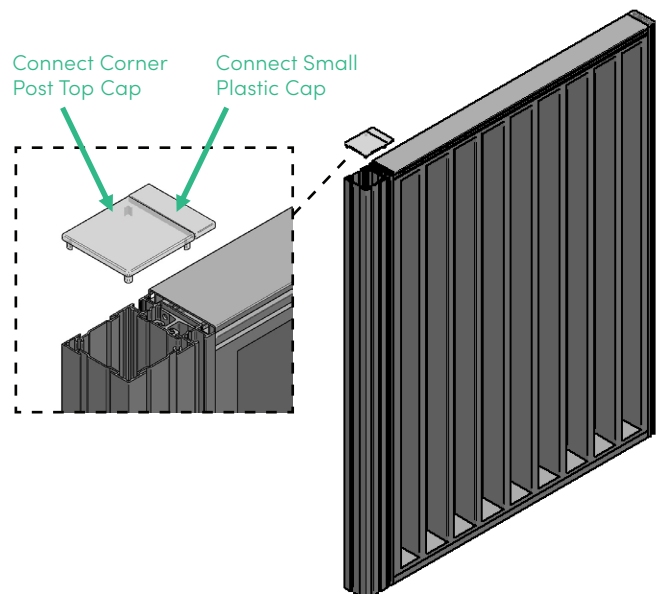
Slide the screen over the corner post joiners. *Note: Make the top of the Screen Post is flush with the top of the corner post.* Install the 5g x 16mm locking screws.

### STEP 3



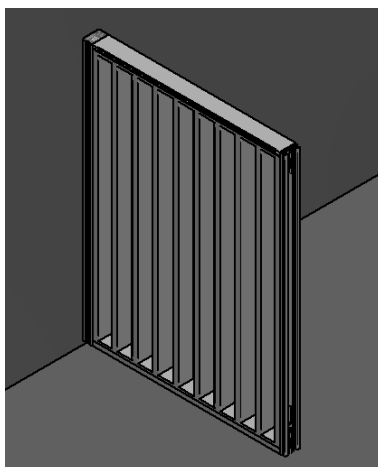
Repeat step 1-2 on the other sides of the corner post where required.

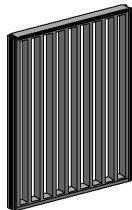


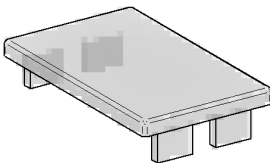
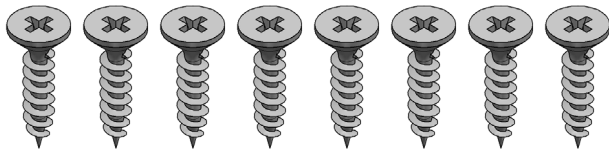
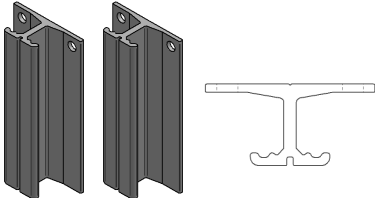
### STEP 4



Install the top caps.

# WALL FIXING CONNECTION ASSEMBLY INSTRUCTION

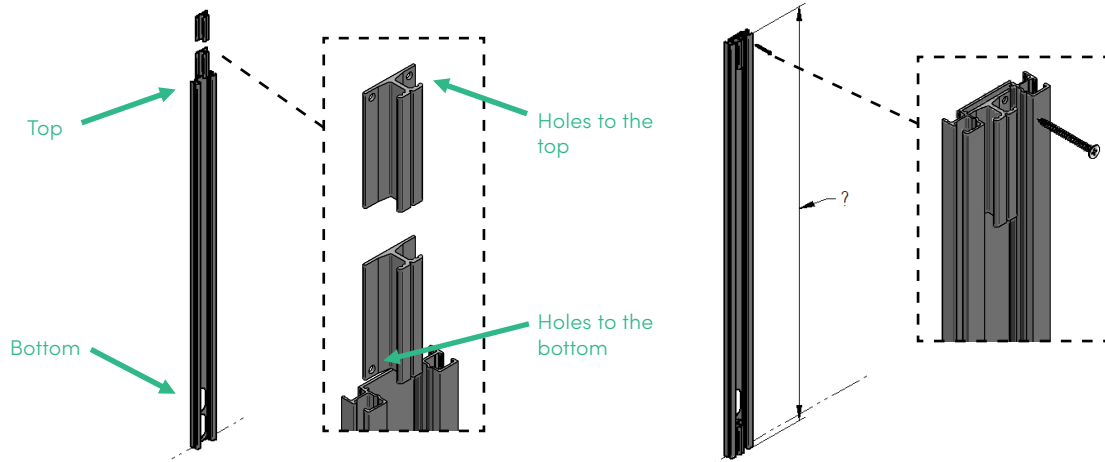


NO.	NAME	QUANTITY	IMAGE
1	Connect Screen	1pc	
2	Connect Post	1pc	 
3	Connect Inline Plastic Cap	1pc	
4	5g x 16mm Pozi CSK Screw	8pcs	
5	Screen Joiner	2pcs	

# WALL FIXING CONNECTION

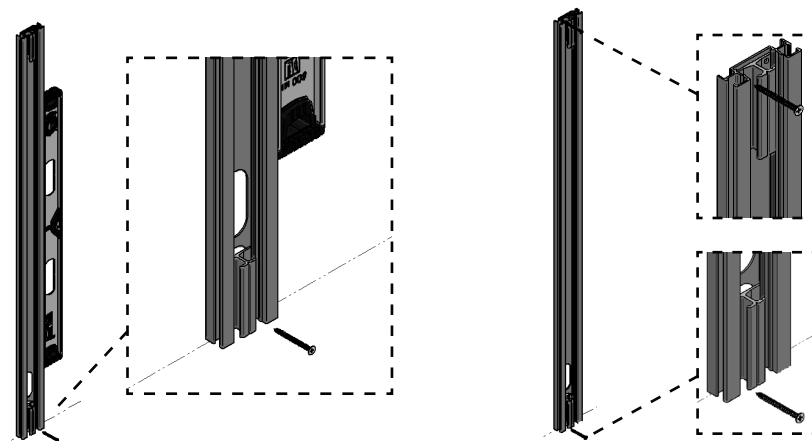
## ASSEMBLY INSTRUCTION

### STEP 1



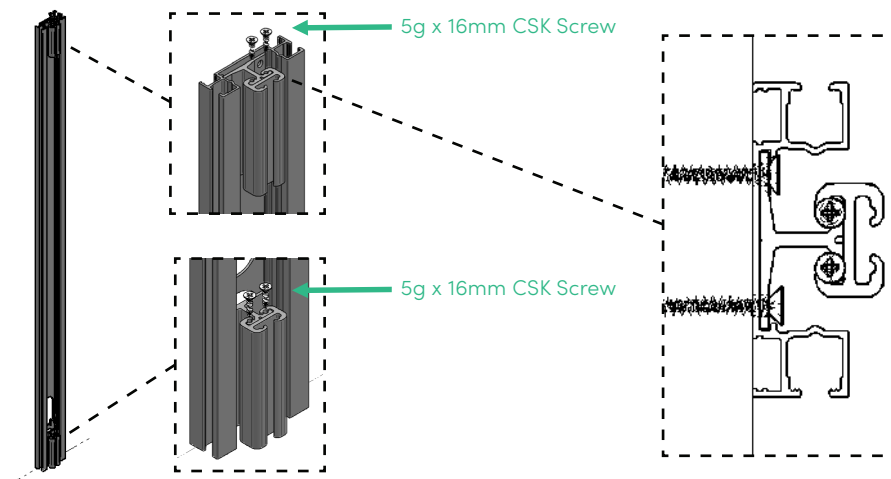
Slide the screen joiner into the post. *Note: Set the top of the Connect post at 5mm below the total height of the Connect screen. Attach the post to the wall using a 50mm or longer screw.*

### STEP 2



Using a Level, level the Connect post and attached the bottom of the post to the wall by inserting a screw through the holes in the joiner and the post.

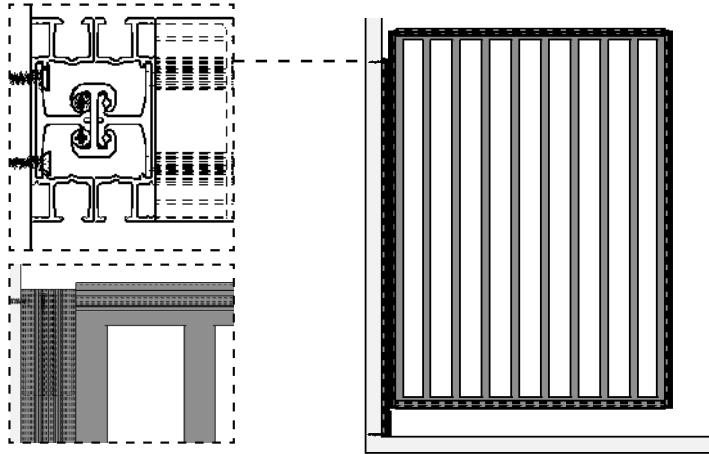
### STEP 3



Attach the ascon joiners to the screen joiners. Using the 5g x 16mm screw.

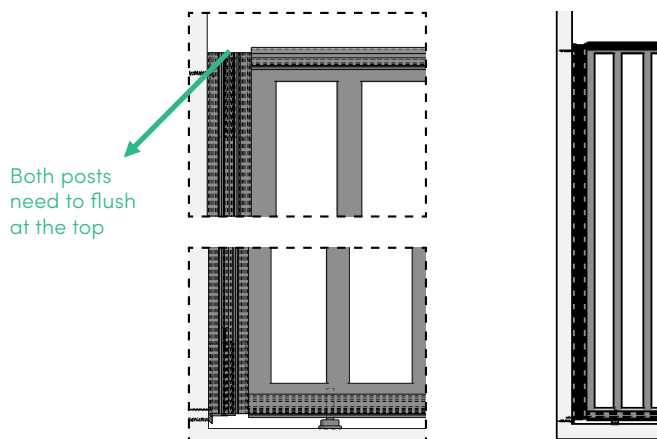
# WALL FIXING CONNECTION ASSEMBLY INSTRUCTION

## STEP 4



Slide the screen onto the ascon joiners.

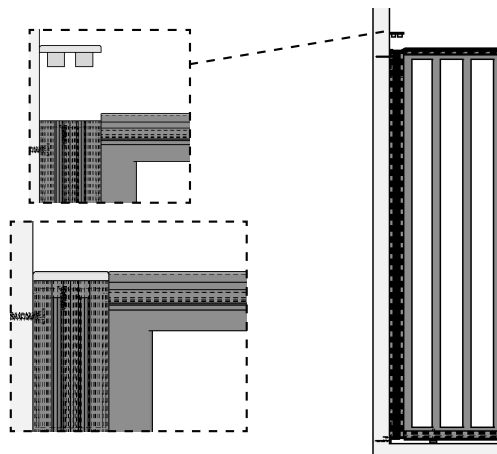
## STEP 5



Both posts  
need to flush  
at the top

Using a spanner adjust the adjustable glides on the bottom of the screen to make the post that is attached to the wall and the post on the screen flush at the top.

## STEP 6



Install inline plastic joiner.

# FACTSHEET

## CARE & MAINTENANCE

### GENERAL CARE – INFORMATION

- Avoid scourers and abrasives as they will damage the surface.
- Don't place hot objects, electrical appliances or pots straight from the oven or cooker onto your laminate surface.
- Don't cut on the laminate surface.
- Keep waxes and polishes well away as they dull the natural shine.
- Do not use strongly acidic, alkaline cleaners or bleach for normal cleaning as these might etch the surface.

### GENERAL CARE – STREAKS

Streaky marks sometimes show on dark colours after cleaning. An all-purpose cleaner such as Mr. Muscle Surface & Glass or Ajax Spray n Wipe usually removes them.

### GENERAL CARE – GREASE

Using a mild dishwashing detergent in water will remove greasy marks. Dab, wait and wipe away. Finish with an all-purpose cleaner such as Mr. Muscle Surface & Glass or Ajax Spray n Wipe.

### GENERAL CARE – SPILLS

Laminate surfaces resist staining from most household chemicals. With some accidental spills however, prompt action is essential. Wipe off beetroot, grape and berry juices, first aid preparations, concentrated bleach, oven cleaners, dishwasher detergents, artificial dyes, hair colouring and solvent based pen ink immediately. Specialty glues such as Super Glue must also be removed straight away with acetone (nail polish remover).

### GENERAL CARE – STAINS

If the stain won't budge with Mr. Muscle Surface & Glass, try methylated spirits or dab the stain with a diluted bleach mixture (1 part bleach to 8 parts water); leave for 3 minutes then wash off with water and dry. Finish off with Mr. Muscle Surface & Glass. Only as a last resort if a stain persists try 2 or 3 rubs with a crème cleanser or white toothpaste, wash and dry. Please note that bleach or these abrasive cleaners may irreversibly damage the laminate surface.

### GENERAL CARE – SCRATCHES

Laminate surfaces will withstand normal wear and tear, but can be damaged by scratching or cutting with utensils, knives and unglazed pottery. Darker colours will show scratches more readily than lighter colours. In general, dark colours and high gloss surfaces require more care and maintenance than lighter colours or lower gloss colours. To minimise scratching, always place and lift objects from the surface – never drag or slide them across the surface.



# CONNECT





0800 126 826

[support@accentworkspaces.co.nz](mailto:support@accentworkspaces.co.nz)

22 Hood Street Wellsford, Auckland 0900 New Zealand